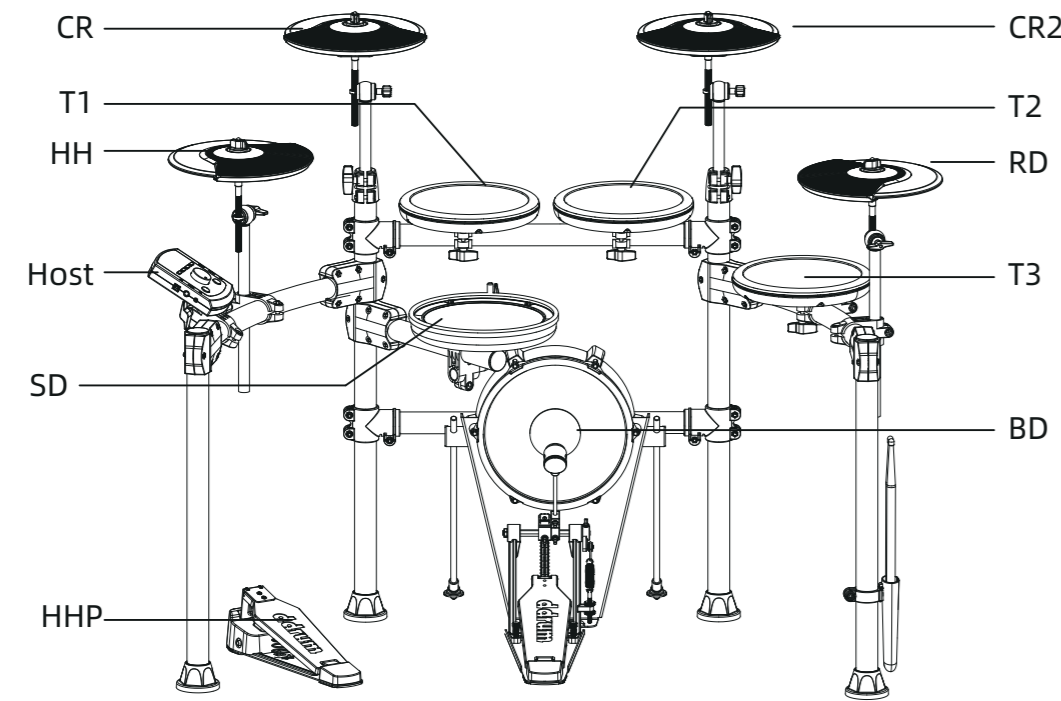
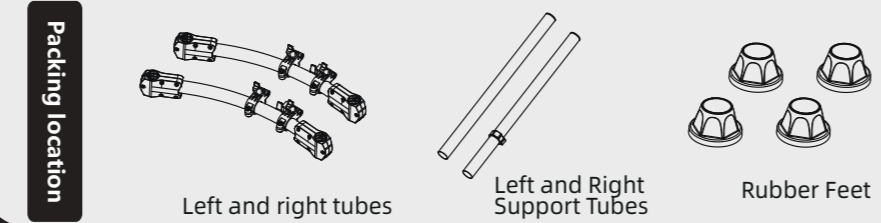
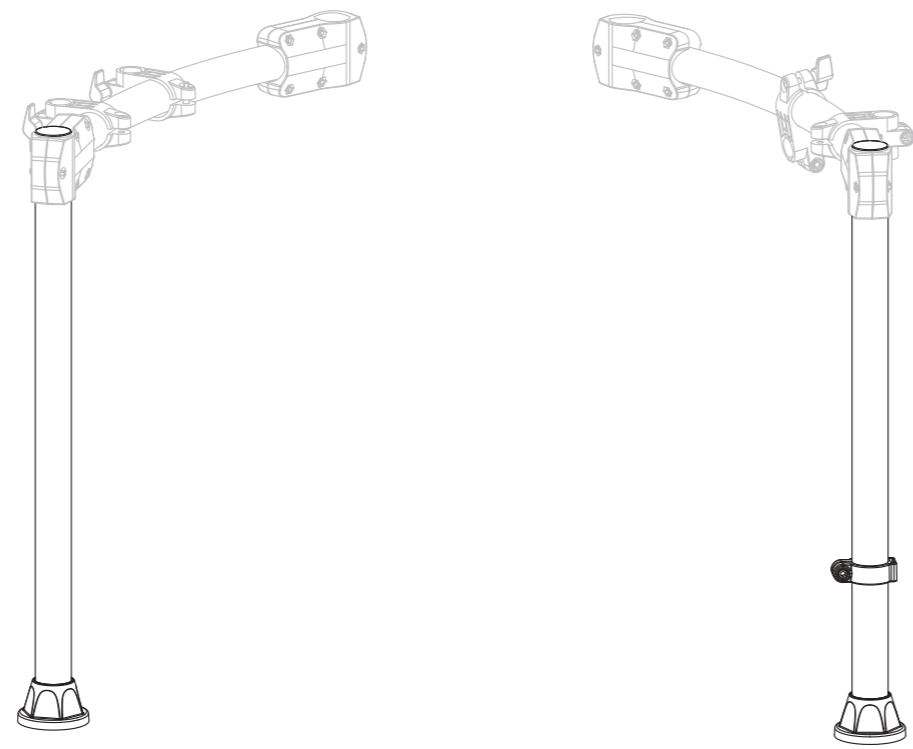


# ddrum®

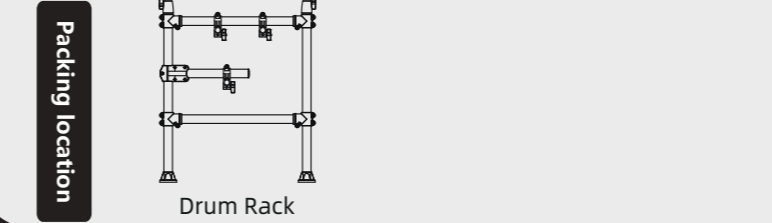
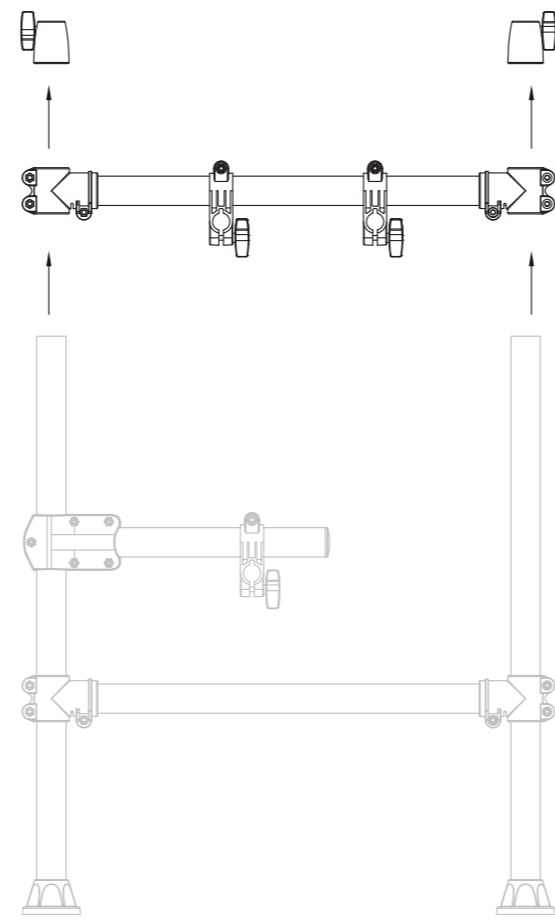
## DD EFLEX BT9 Electronic Drum Assembly Instructions



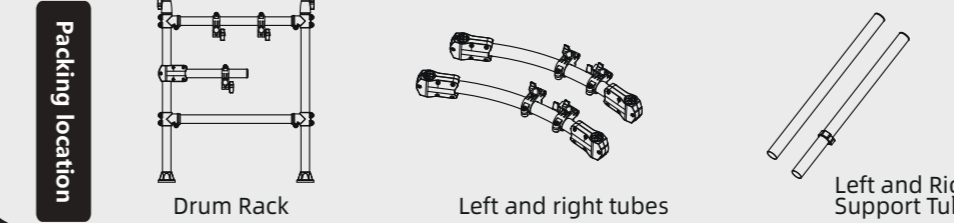
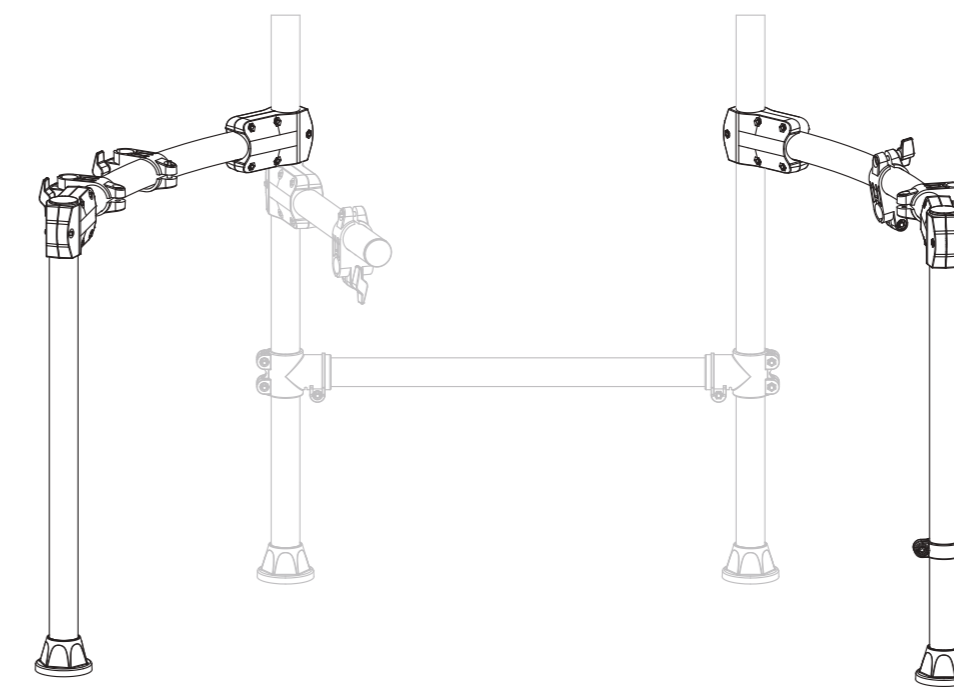
**1** Connect the left and right support rack tube with the left and right curved rack tubes.



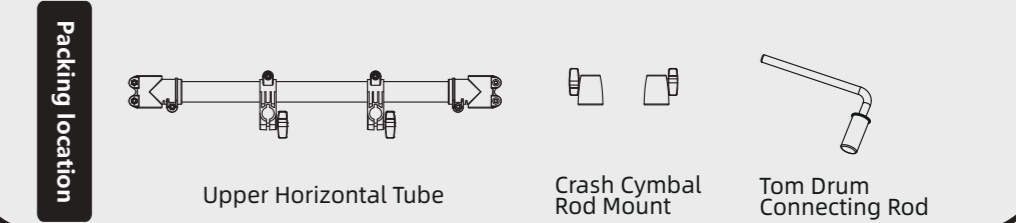
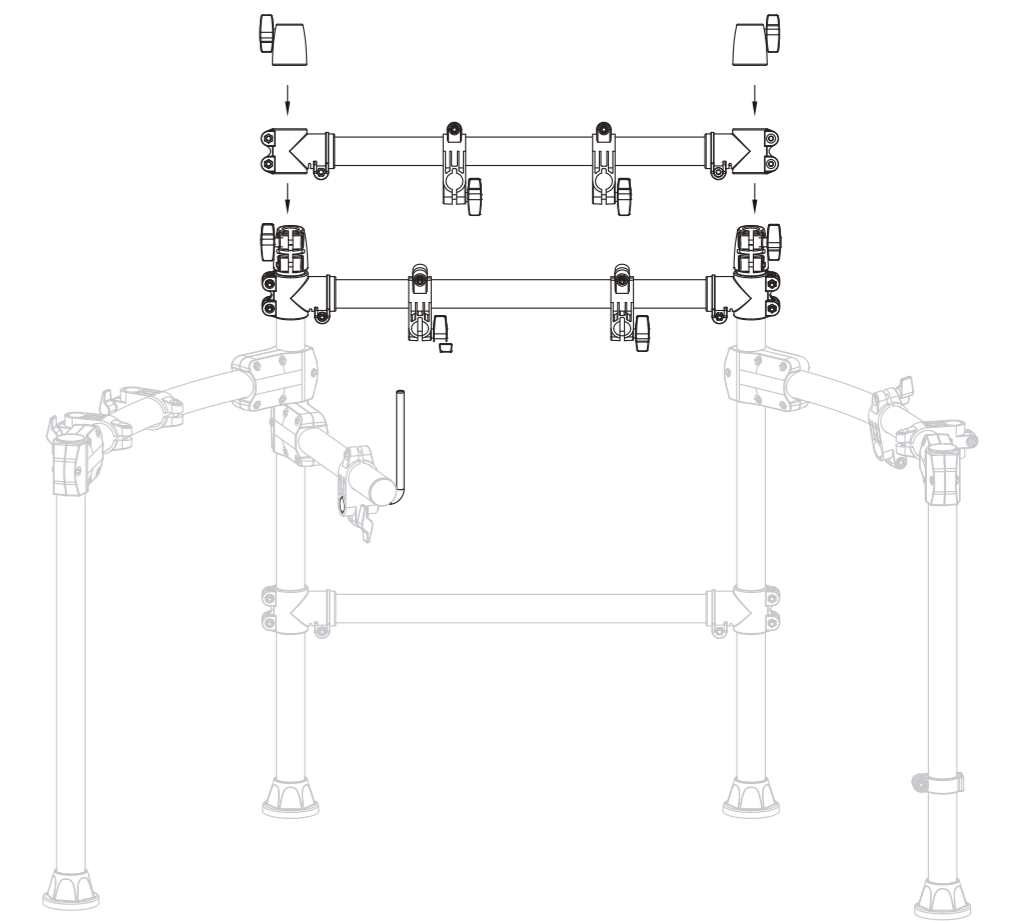
**2** Take the main drum rack and remove the cymbal rod mounts at each end like shown in the diagram below. Remove the upper horizontal tube as well.



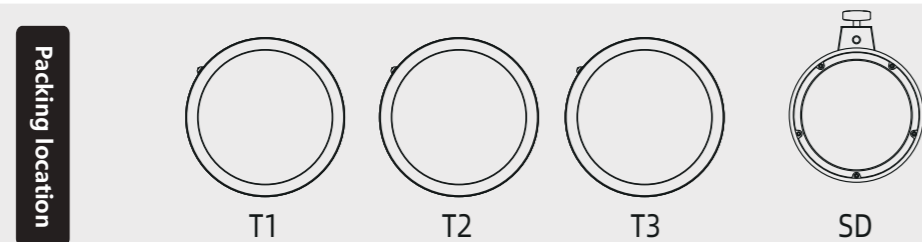
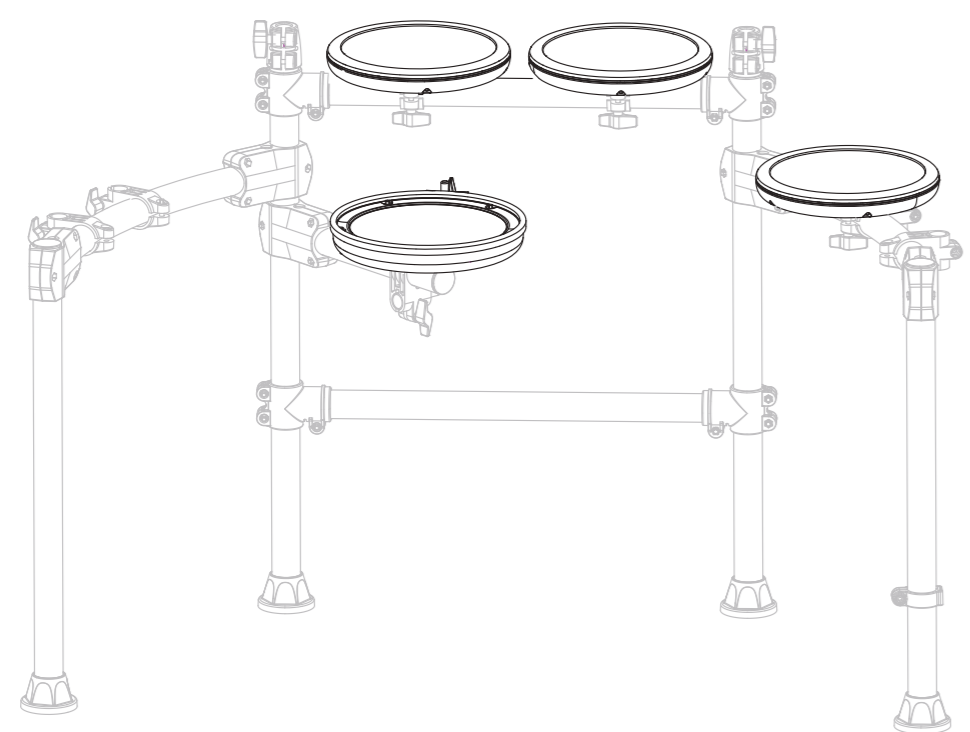
**3** Attach the left and right curved tubes.



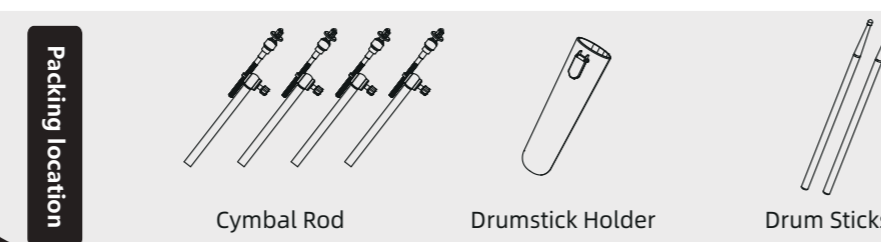
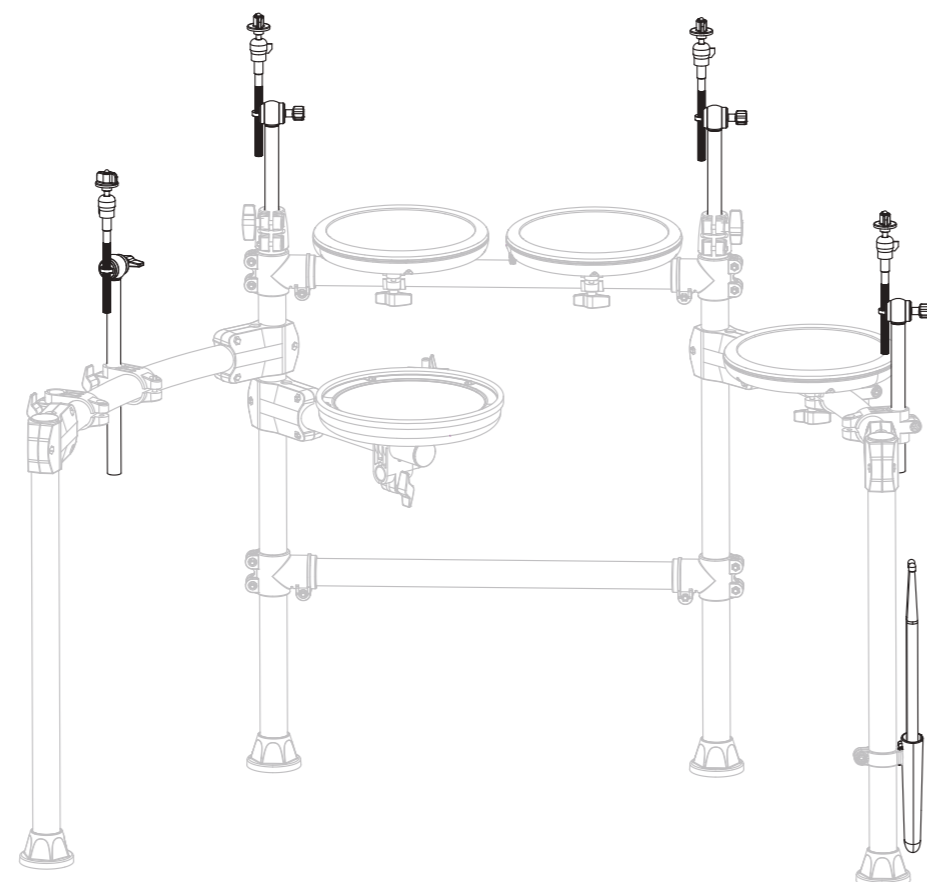
**4** Reattach the upper horizontal tube along with the cymbal rod mounts. Once you have completed attaching the horizontal tube, the rack should be able to stand freely.



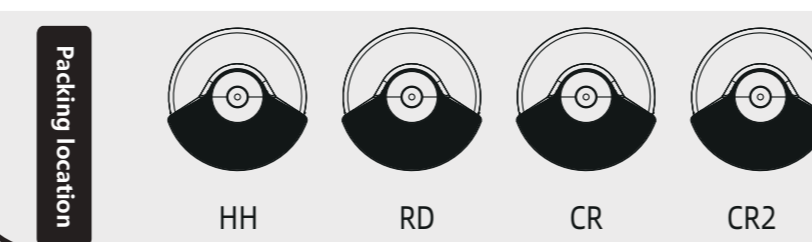
**5** T1,T2,T3,SD assembly. Attach the tom and snare drum mounting rods to the corresponding bracket and attach each tom and snare pad accordingly. Please refer to the diagram below.



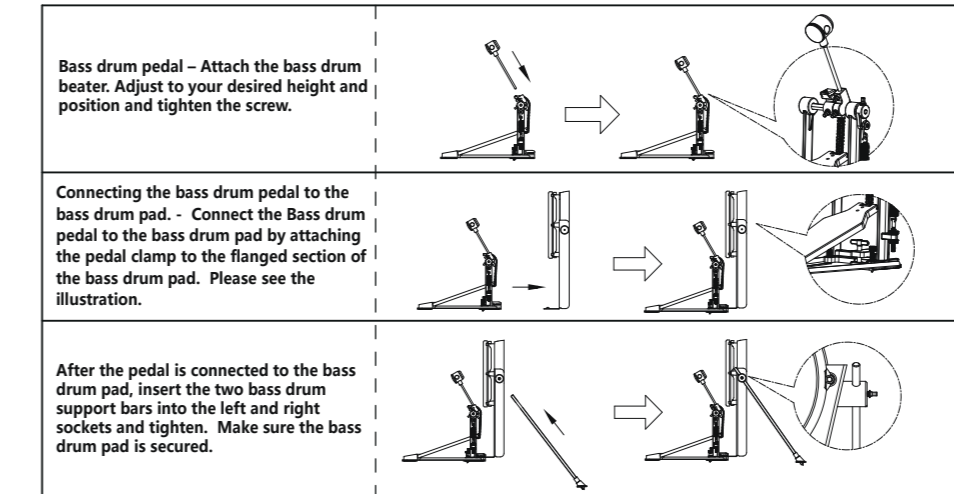
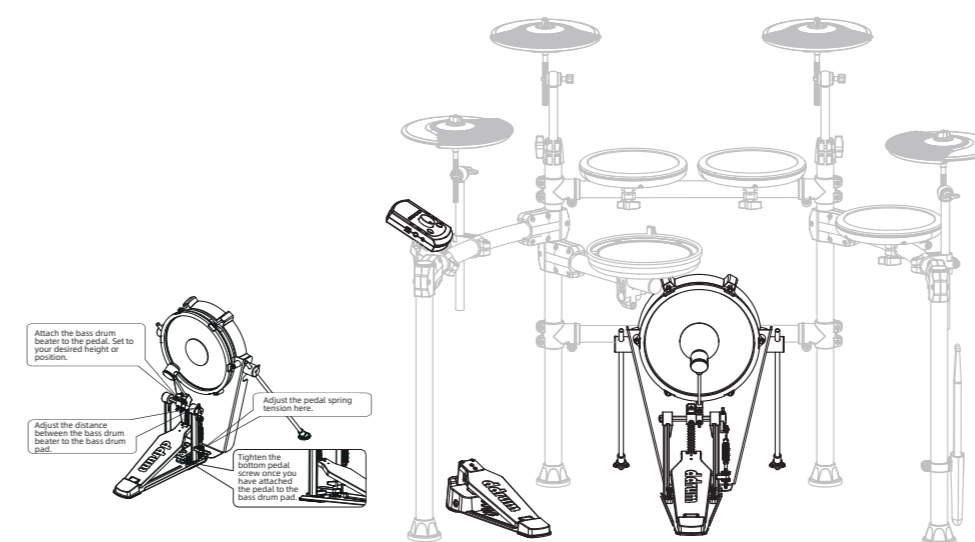
**6** Cymbal rod and drumstick holder assembly. Please see the diagram below.



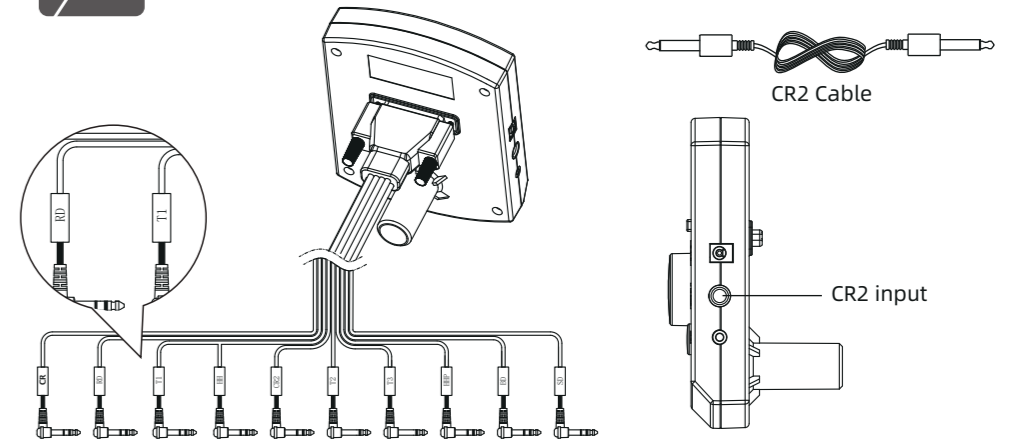
**7** HH,RD,CR,CR2 Assembly. Please refer to the diagram below.



**8** Module, Hi-Hat Controller and Bass Drum Pad Assembly.



**9** Cable Connections.



1. Connect the cable to the module first and tighten the two screws into place like shown in the diagram above.  
2. Pay attention to the letters show on each cable. These are to be matched with the letters on each drum pad.  
3. For the easiest way to connect all the pads, please see below.  
4. The EFLEX BT series module has an additional input for a crash cymbal. The BT9 kit comes complete with the 2nd crash cymbal. This pad is to be plugged into the extra input on the side of the module. Using the extra cable included, "CR2 Cable" please see the illustration above and to the right.

**10** Cable Management

