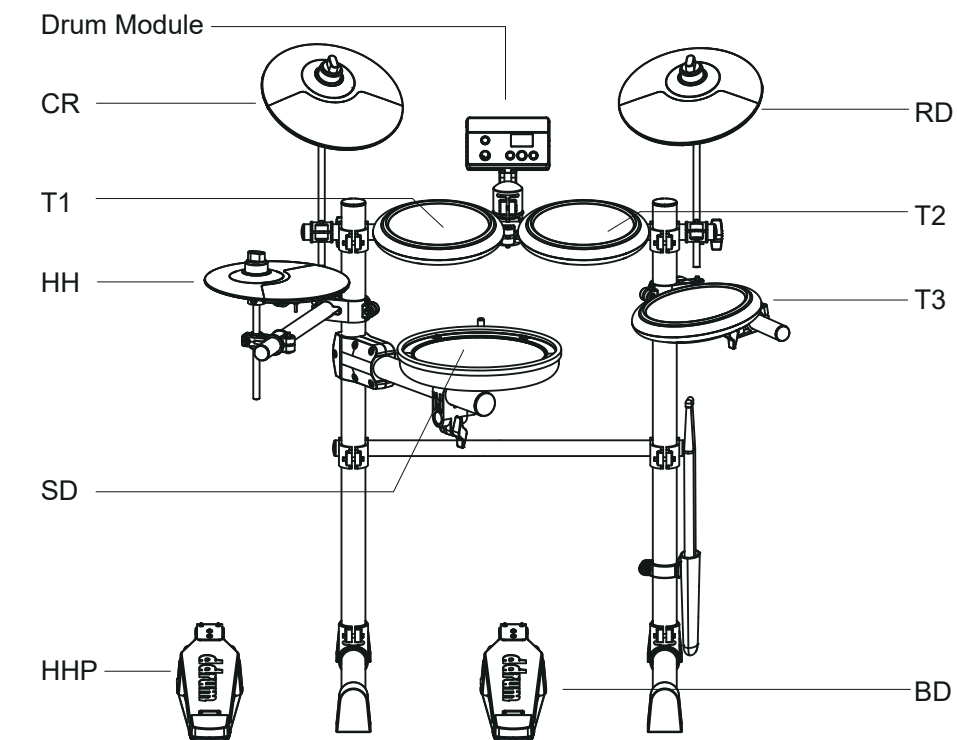


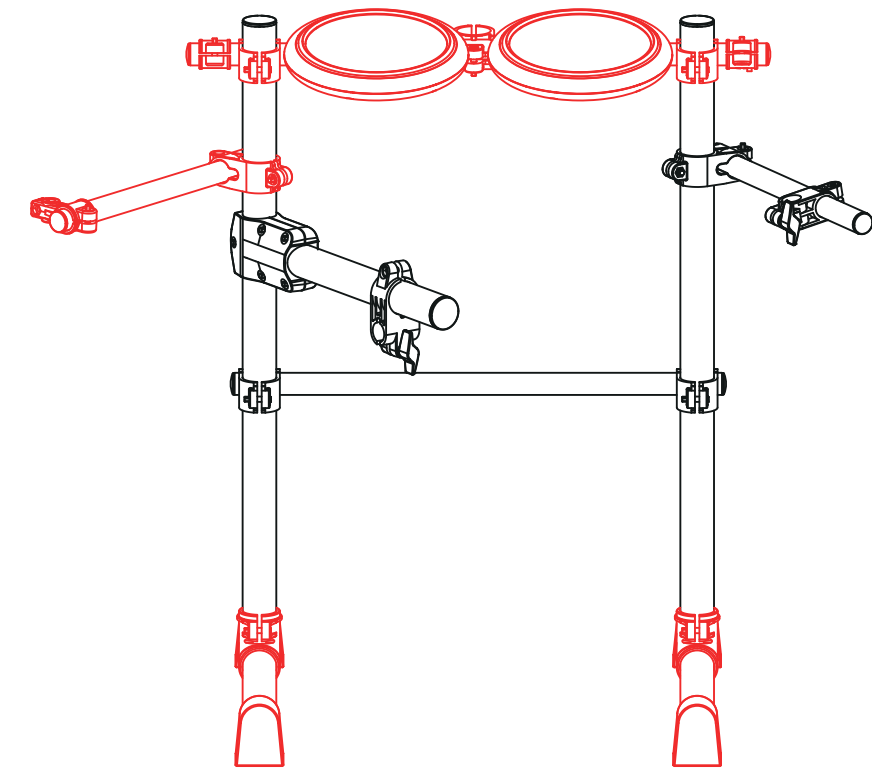


ASSEMBLY INSTRUCTIONS

E-FLEX Electronic Drum Kit



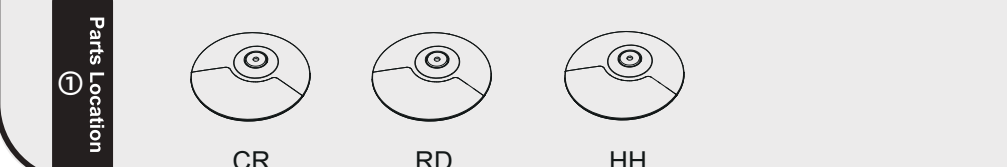
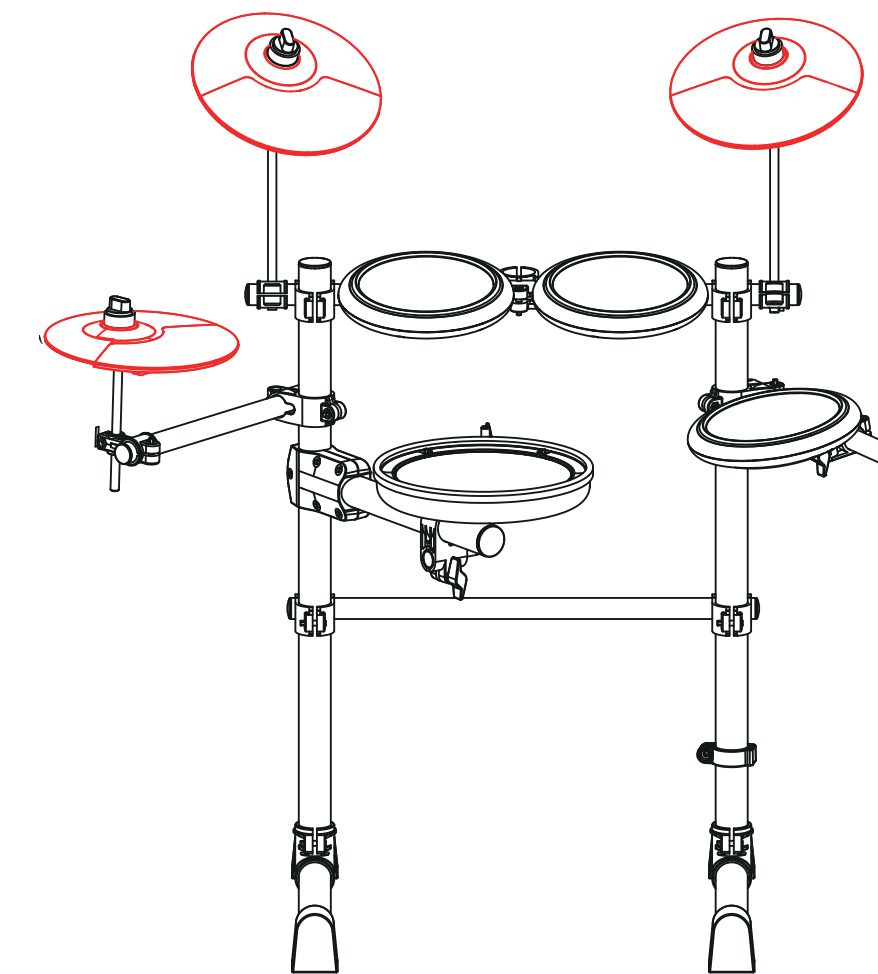
1 Drum Rack Assembly



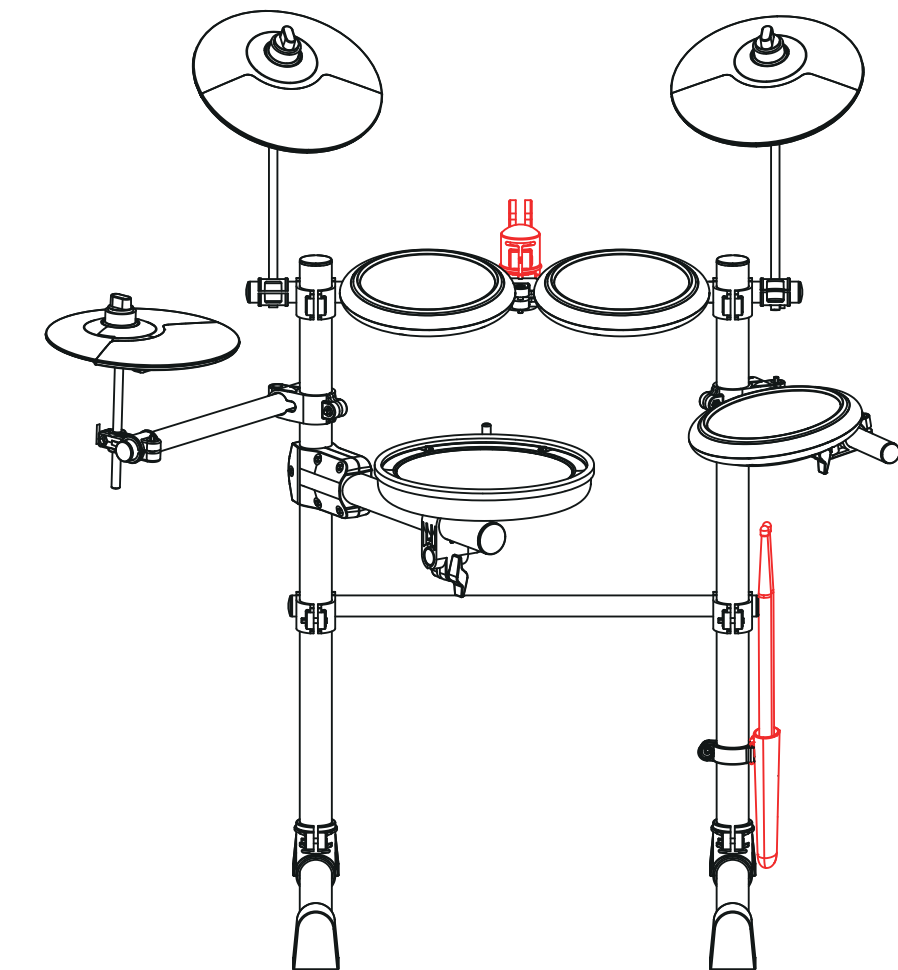
Remark: Parts Locations, refer to package details diagram on the carton.



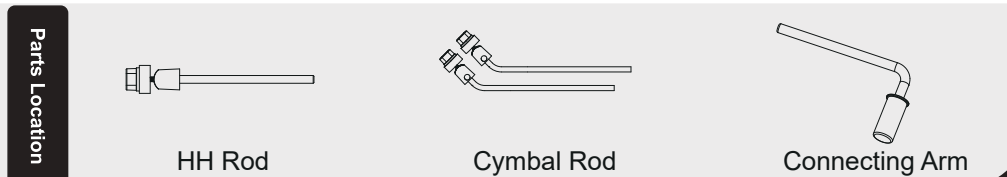
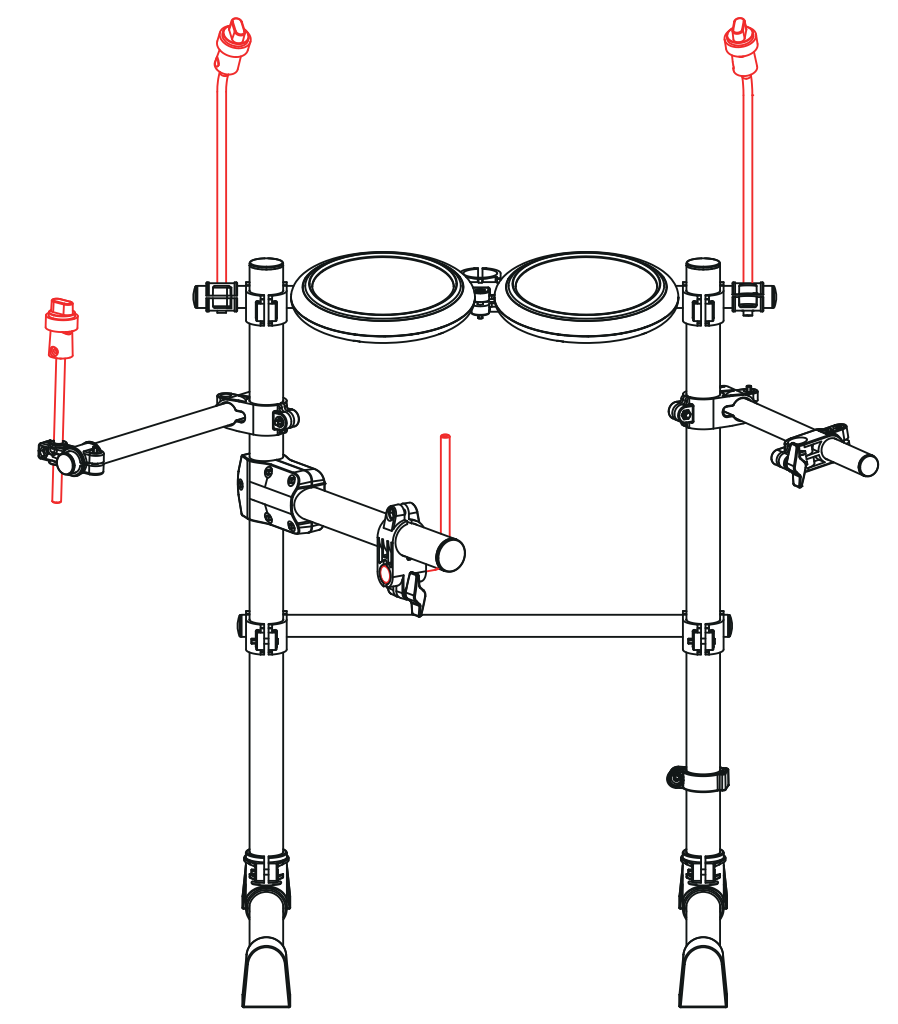
4 CR, RD, HH Assembly



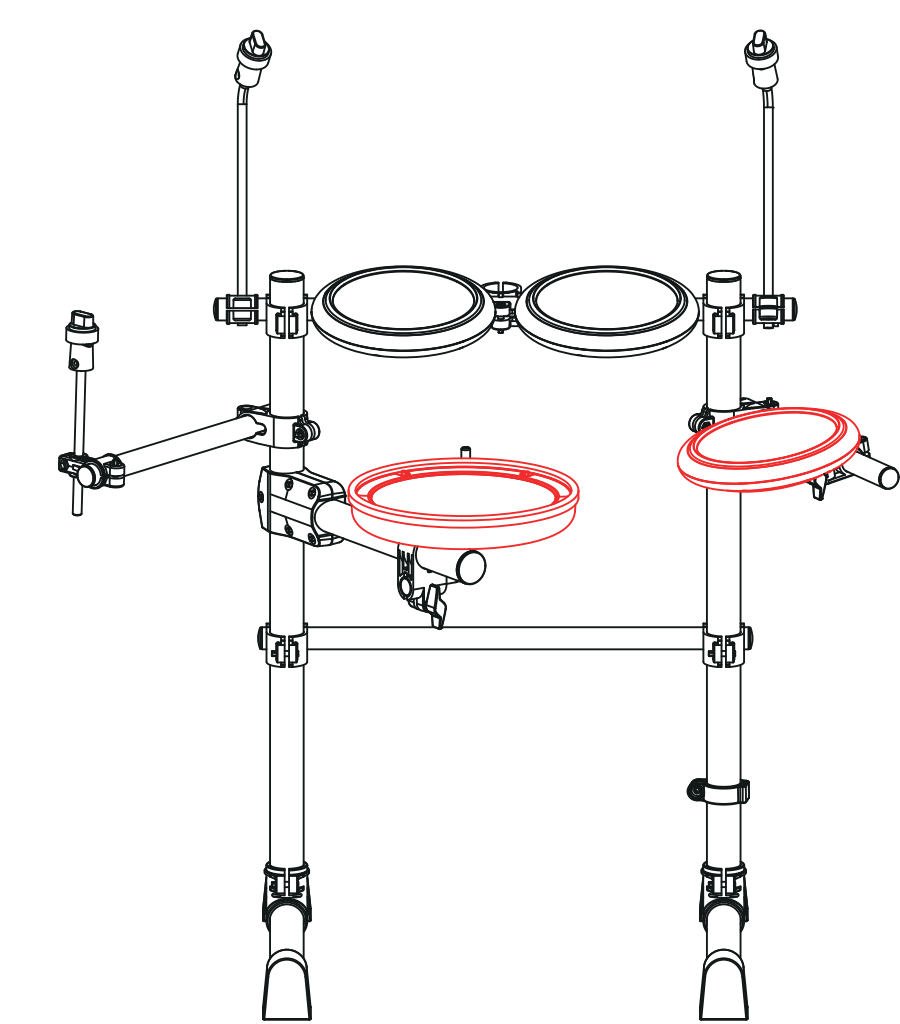
5 Module Mount, Drum Stick Holder, Drum Sticks Assembly



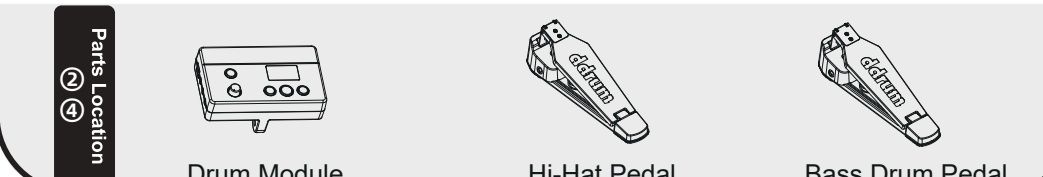
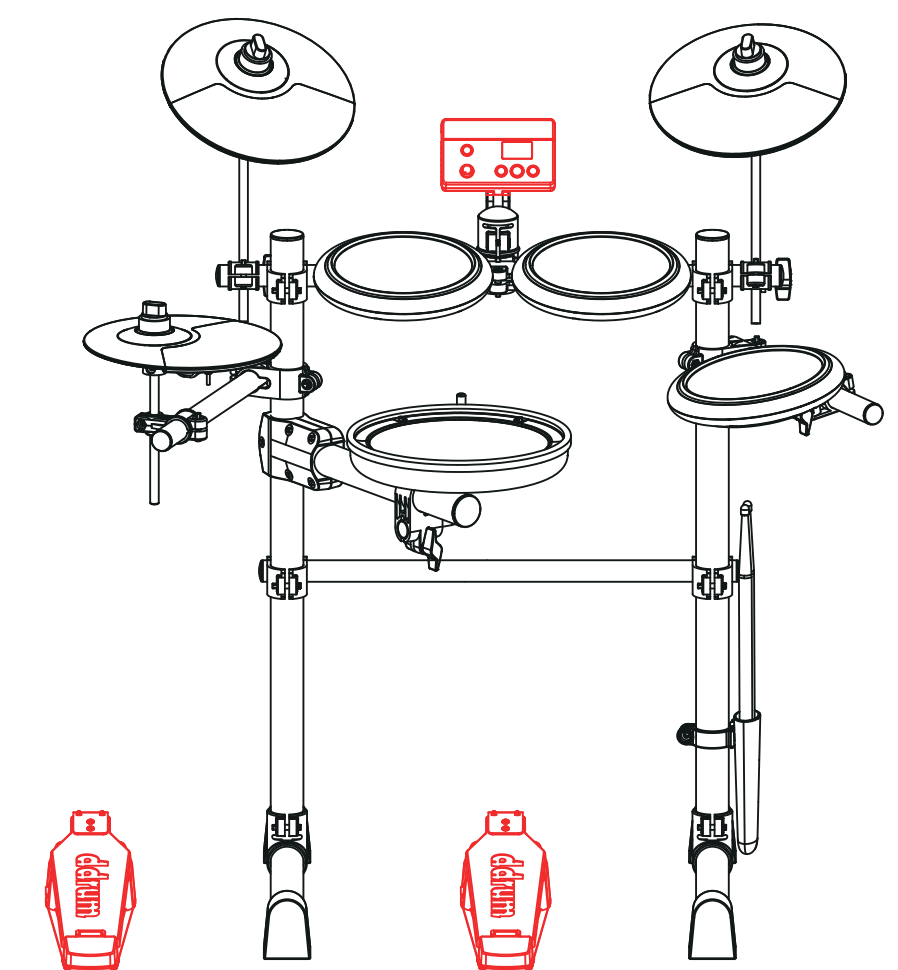
2 HH Rod, Cymbal Rod, Connecting Arm Assembly



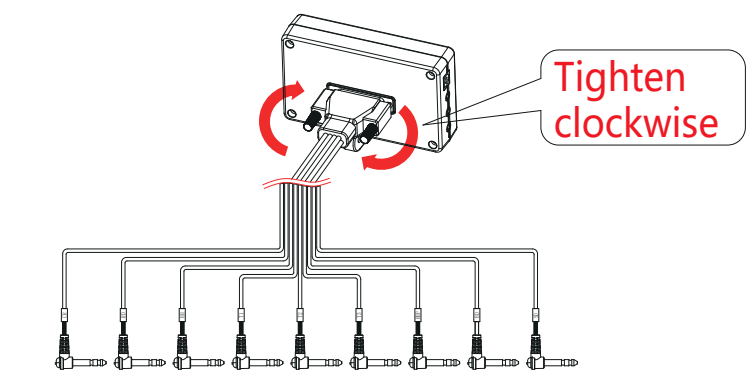
3 T3, SD Assembly



6 Hi-Hat Pedal, Bass Drum Pedal, Drum Module Assembly



7 Cable Connections



Remark: 1. First connect the cables to the module. Then tighten the screws on each side clockwise to secure them into place.
2. Each cable and pad are marked. (ex. SD is for snare drum) Please match the cable to the correct pad.
3. For easy trouble-free setup, Please connect the cables in this order: (1)HHP, BD (2)CR, RD (3)HH, T3 (4)T1, T2 (5)SD

8 For Cable Management, Please Refer to the Diagram Below

